



# **COOKER HOOD**

INSTRUCTION MANUAL

BCIAISCY28E1

## **1. GENERAL**

Carefully read the following important information regarding installation safety and maintenance.

Keep this information booklet accessible for further consultations.

The appliance has been designed as a exhausting version (external exhaust ) or as a filter version (internal air recycle) cooker hood.

## **2. SAFETY PRECAUTION**

Take care when the cooker hood is operating simultaneously with an open fireplace or burner that depend on the environment and are supplied by other than electrical energy, as the cooker hood removes the air from the environment which a burner or fireplace need for combustion.

Provide adequate ventilation in the environment for a safe operation of the cooker hood.

Follow the local laws applicable for external air evacuation.

## **3. WARNING**

In certain circumstances electrical appliances may be a danger hazard.

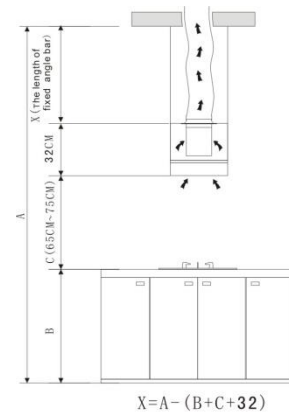
- Keep electrical appliances out of reach from Children or infirm persons. Do not let them use the appliances without supervision.
- This appliance is not intended for use by persons (including children) with reduced physical. Sensory or mental capabilities ,or lack of experience and knowledge ,unless they have been given supervision or instruction concerning use of the appliance by a person responsible for their safety.
- Do not touch the light bulbs when/after appliance use.
- Do not check the status of the filters while the cooker hood is operating
- Flame cooking is prohibited underneath the cooker hood
- Avoid free flame, as it is damaging for the filters and fire hazard
- Constantly check food frying to avoid that the overheated oil may became a fire hazard
- Your cooker hood is for domestic use only, not suitable for barbecue, roast shop and other commercial use.
- Any installation work must be carried out by a qualified electrician or competent person.
- The cooker hood and its filter mesh should be cleaned regularly in order to keep in good working order.
- Before cleaning, always ensure that you have switched your cooker hood off.
- Clean the cooker hood according to the instruction manual and keep the cooker hood from the danger of burning.
- No fire for drying your cooker hood.
- If there is any fault with your cooker hood, please call the service department appointed by agent for servicing.
- If the power cord is damaged, it must be replaced by the manufacturer or a qualified service

engineer in order to avoid a hazard.

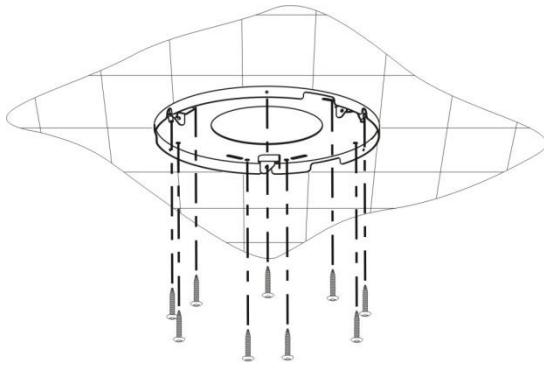
- Please keep the room draughty when your cooker hood and gas hob are working.
- Do not exhaust the gas from cooker hood through the same heated flue which is for the gas from gas hob and other kitchen appliances.
- Before installation and usage, read all the instructions and make sure that the voltage (V) and the frequency (Hz) indicated on your cooker hood are exactly the same as the voltage (V) and the frequency (Hz) in your home.
- In order to get the most out of your cooker hood, please read the instruction manual before installing & using, and keep it in a safe place.
- Contact you local government for information regarding the collection systems available
- If electrical appliances are disposed of in landfills or dumps, hazardous substances can leak into the groundwater and get into the food chain, damaging your health and well-being.
- Children should be supervised to ensure that they do not play with the appliance.
- Regulations concerning the discharge of air have to be fulfilled.
- CAUTION: Accessible parts may become hot when used with cooking appliances.
- Attention! Observe the warning in the instruction sheet concerning the operation of the appliance when air is discharged from the room.

#### 4. INSTALLATION INSTRUCTIONS

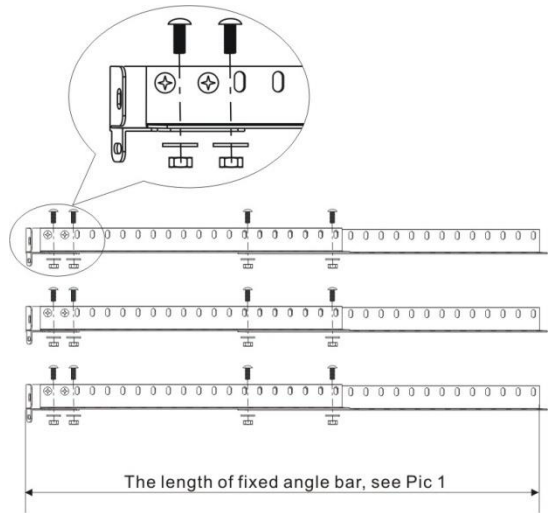
1. The cooker hood must placed at a distance of 65-75cm from the surface for the best effect. See Pic 1.
2. For safety, the ceiling should be bear at least 120kgs, and the thickness should be more than 30mm. Drill a hole on the position for cooker hood with  $\Phi 170\text{mm}$  on the ceiling
3. According to the hanging board, drill 9 holes on the ceiling. Use 9 pcs ST6X40mm screws to fix the hanging board on the wooden ceiling or use 6 pcs concrete anchor to fix the hanging board on .concrete ceiling. See Pic 2.
4. Calculate the length of angle bar according to Pic 1. To connect the angle bar and bracket with 18 pcs M4X10 screws ,M4 nut and washer. (the overlap between angle bars should more than 100mm)  
See pic 3.
5. Using 6 pcs M4X10 screws to fix the angle bars on the cooker hood housing, and install the extensible pipe. See pic 4/5. Set the inner chimney
6. Put fixation of angle bars on the three installed angel bars. And then using 6 pcs M4X10 screws, M4 nut and washer to fix. See Pic 6
7. See Pic 7, put the inner chimney on the cooker hood housing.
8. See Pic 8, put up the unit, and take the extensible pipe out of ceiling. And then using 6 pcs M4X10 screws, M4 nut and washer fix the angle bar of unit to the hanging board.
9. See Pic 9. Undrawn the inner chimney and use 3 pcs ST4X8 screws to fix the inner chimney on hanging board.



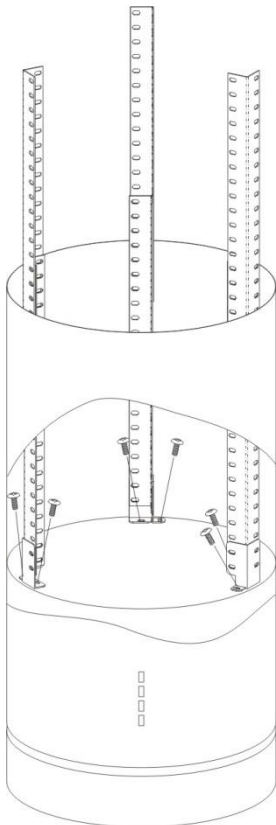
Pic 1



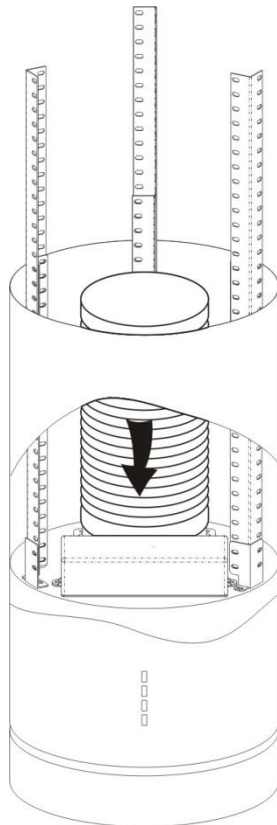
Pic 2



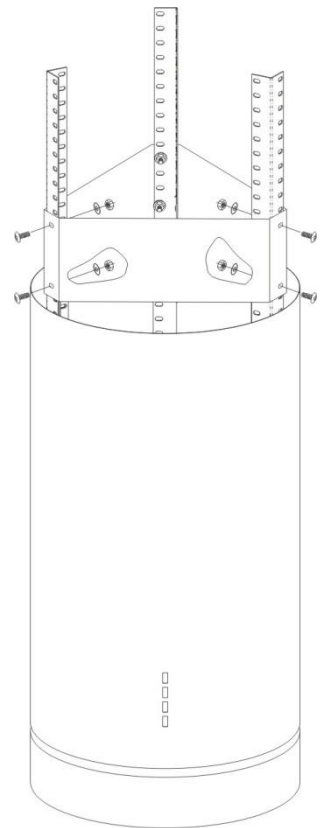
Pic 3



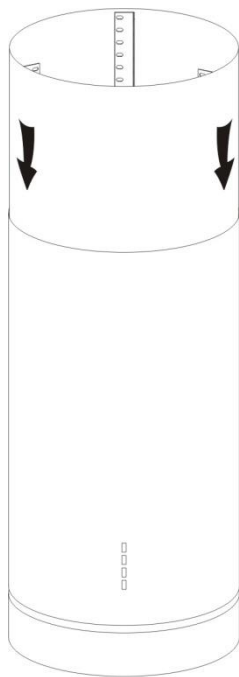
Pic 4



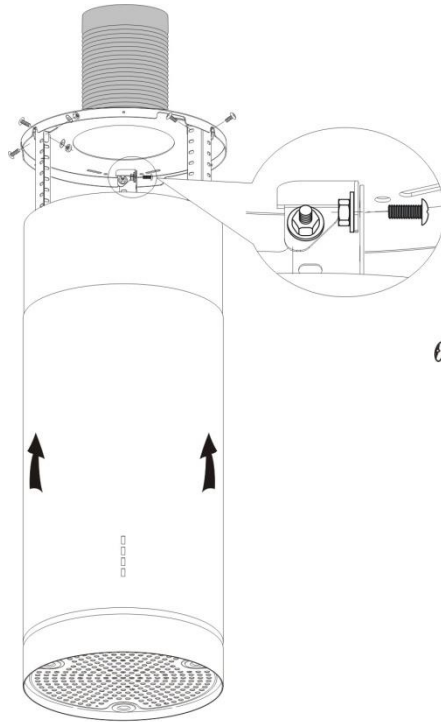
Pic 5



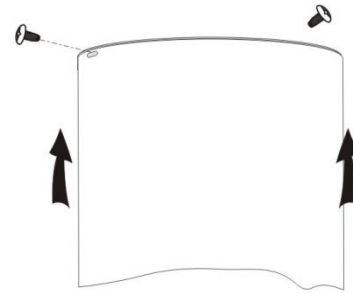
Pic 6



Pic 7



Pic 8

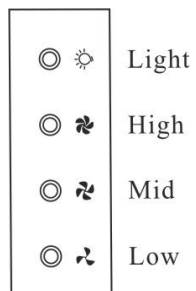


Pic 9

## 5. OPERATION

How to use the control panel, see Pic. 9

- 5.1 Press the button “Low”, the inner indicator light of switch starts shining, the motor is running at low speed. Press the button again, the motor stop.
- 5.2 Press the button “Mid”, the inner indicator light of switch starts shining, the motor is running at medium speed. Press the button again, the motor stop.
- 5.3 Press the button “High”, the inner indicator light of switch starts shining, the motor is running at high speed. Press the button again, the motor stop.
- 5.4 Press the button “Light”, both lights start shining. Press the button again, the lights are switched off then



Pic-9

## 6.Maintenance

6.1 It is recommended to operate the appliance prior to cooking.

6.2 It is recommended to leave the appliance in operation for 15 minutes after cooking is terminated in order to completely eliminate cooking vapours and odours.

6.3 The proper function of the cooker hood is conditioned by the regularity of the maintenance operations, in particular, the active carbon filter.

6.4 The anti-grease filters capture the grease particles suspended in the air, and are therefore subject to clogging according to the frequency of the use of the appliance.

6.5 The cooker hood must regularly cleaned on both the inside and outside with hot water plus non corrosive detergent (AT LEAST ONCE A MONTH) To protect the main body from corrosion over a long period of time

Attention! Please do not use abrasive detergent or alcohol as it will damage the body.

Attention! Keep the motor and other spare parts free from water, as this will cause damage to the appliance.

Attention! Before cleaning the appliance please remember to cut off the power.

### 6.6 Changing and cleaning the anti-grease filters

-Removing the filters as the instruction in Pic. 10;

-You can clean the filter as below measure:

1. Soak them for about 3 minute in hot water (40-50 degrees) with a grease-loosening detergent then brush it gently with a soft brush. Please do not apply too much pressure, avoid damaging it.
2. It can be put into a dishwasher with detergent, set the temperature at around 60 degrees.

Note: Please do not use abrasive detergent for it will damage the hood;

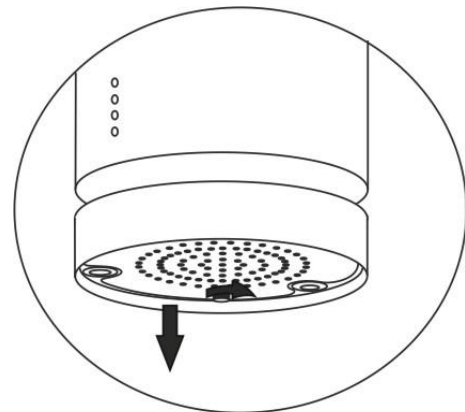
Note: Make sure that the hood is shut off before cleaning;

### 6.7 Installing the carbon filter, see Pic. 11;

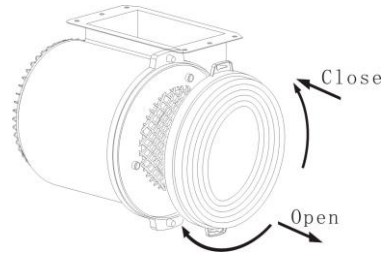
Activated carbon filter can be used to trap odors. Normally the activated carbon filter should be changed at three or six months according to your cooking habit. Activated carbon filter cannot be washed or recycled. The installation procedure of activated carbon filter is as below.

1. Remove the filters see Pic.10
2. The carbon filters (pic.11) are located at either end of the motor. Turn the charcoal filters anti-clockwise until they are unscrewed.
3. Apply reverse procedure to install the charcoal filter

Note: When the activated carbon filter attached, the suction power will be lowered.



Pic-10



Pic11

## 7. Trouble shooting

Symptom	Solution
The cooker hood does not start.	<ul style="list-style-type: none"> <li>● Check that the hood is connected to the electricity supply.</li> <li>● Check that the fan speed control is set properly.</li> </ul>
The cooker hood is not working Effectively.	<ul style="list-style-type: none"> <li>● The fan speed is not set high enough.</li> <li>● The grease filter is dirty.</li> <li>● The kitchen is not ventilated well enough.</li> <li>● If the hood is set for recirculation, check that the carbon filters have not expired.</li> <li>● If the hood is set for extraction, check that the ducting and outlets are not blocked.</li> </ul>
The cooker hood has switched off during operation.	<ul style="list-style-type: none"> <li>● The safety cut-out device has been tripped.</li> <li>● Turn off the hob and then wait for the device to reset.</li> <li>● Note that if you have installed your cooker hood too low, this will happen.</li> <li>● If it happens frequently, it will be damaged.</li> </ul>

