

 **INSTALLATION, USE AND MAINTENANCE INSTRUCTION**

Models covered by this instructions:

**SU-DD2-L TC
SU-DD2-L INOX
SU-DD3 TC**



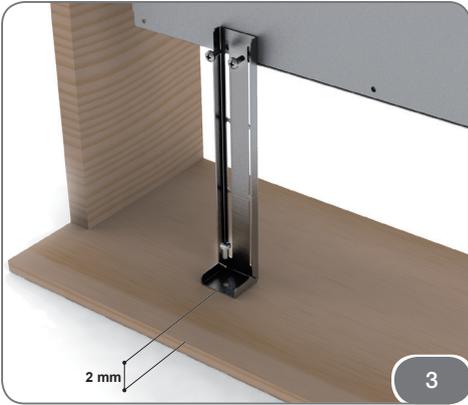
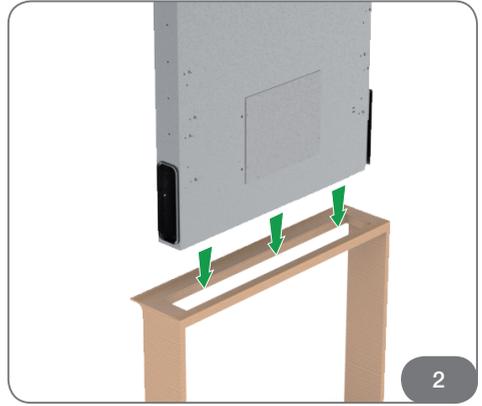
***** BEFORE INSTALLATION *****

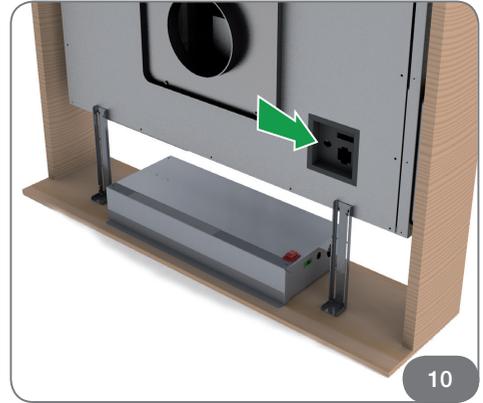
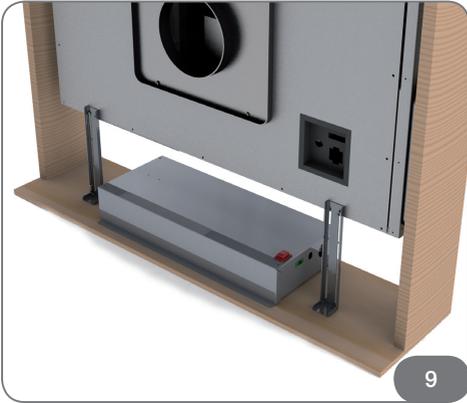
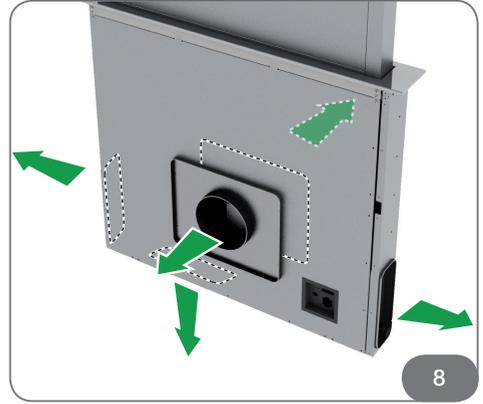
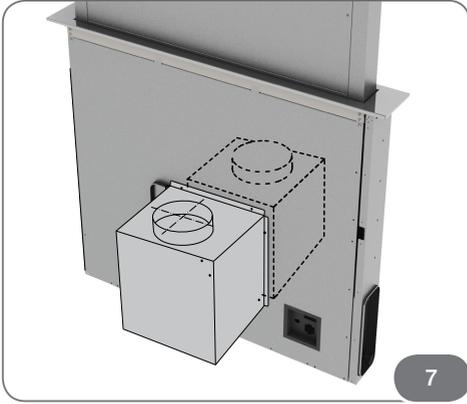
**ENSURE THERE IS NO VISIBLE OR HIDDEN DAMAGE
SUSTAINED
DURING SHIPPING**

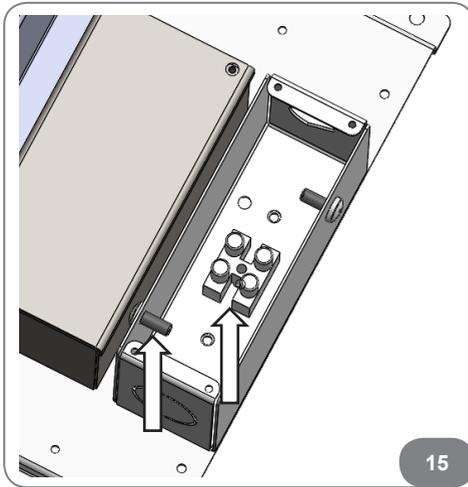
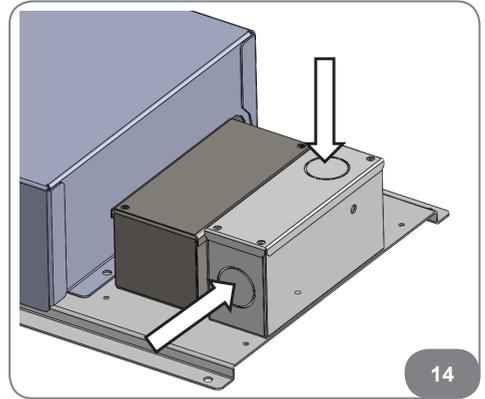
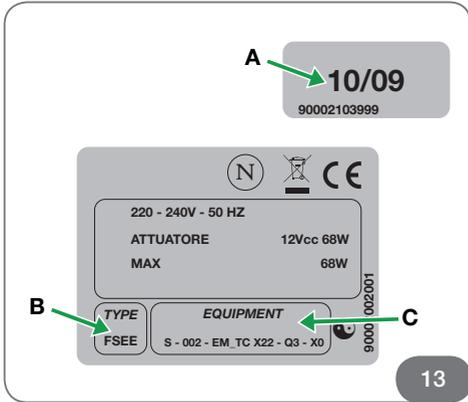
***** SHIPPING DAMAGE *****

MUST BE REPORTED WITHIN 5 DAYS OF RECEIPT

IMAGES







WARNING

Thank you for purchasing a Sirius Range Hood.

- Please read all the instructions in this manual before installing the appliance.
- Save these instructions for future reference.
- Only use this appliance as an exhaust ventilation system for the removal of cooking vapors. DO NOT use to expel flammable substances or any other materials or vapors.
- The installation procedures in this manual are intended for qualified installers, service technicians or persons with similar qualified background. DO NOT attempt to install this appliance yourself.
- Ensure that electrical power is turned off at source before commencing installation.
- All electrical wiring must be properly installed, insulated and grounded and conform to all applicable codes and standards.
- Make sure all existing duct work is clean of grease build up, or duct work should be replaced, if necessary, to avoid the possibility of a grease fire.
- Check all joints on ductwork to ensure proper connection and all joints should be properly taped. Be careful when cutting through ceilings or walls not to damage any hidden pipes or electrical wiring. Ensure your kitchen has sufficient air return vents to replace the exhausted air.
- Fan ducts should always be vented to the outside of your home and never into spaces within walls, ceilings, lofts or attics
- Only use rigid, smooth steel for ducting.
- The exhaust point of the blower requires a 5" 29/32 round connection if the downdraft it's connected with SUM1 external motor or with motor on board and a 7" 7/8 if the downdraft it's connected with SUM6 external motor.
- The appliance must be used by adults. Make sure that the appliance is out of reach of children and that they do not use it to play with. Make sure that children do not operate the controls.
- Do not ever change or try to change the characteristics of this appliance. This would be a danger. Repairs must be performed only by an authorised technician.
Always disconnect the hood before carrying out cleaning or maintenance operations.
- Adequately ventilate the room when a cooker hood and other appliances, powered by energy other than electricity, are used simultaneously, so that the hood does not suck any combustion fumes
- This appliance must not be used over cook tops powered by wood or coal or in any case, over cook tops with power levels that could damage the appliance.
Never use steam or high-pressure devices for cleaning your hood (regulations regarding electrical safety).
- The minimum distance between the Downdraft (closed) and the surface above it must be at least 400 mm.
- When handling the downdraft, never put your hands in the field of action of the extractable unit.
- In the case of the version with external motor, for normal downdraft operation, it is necessary to use a suctioning unit (external motor) made by the same manufacturer.

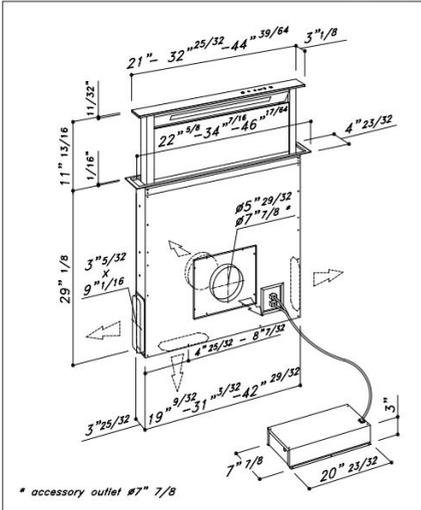
CONTENTS

DESCRIPTION OF THE APPLIANCE	9
INSTALLING THE HOOD	10
Grease filter removal, mounting the activated charcoal filter	11
Electrical connection of the hood	12
HOW THE COOKER HOOD WORKS	13
CLEANING THE HOOD	15
OPERATIONAL ANOMALIES	16
AFTER SALES SERVICE	16

DESCRIPTION OF THE APPLIANCE

SU-DD2 L TC
SU-DD2 L INOX

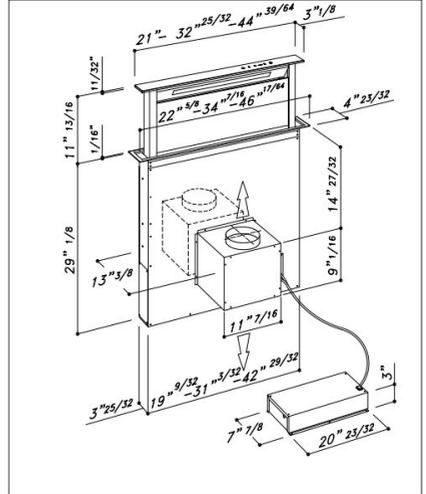
FLUSH TOP



Rectangular opening: 3" 15/16 x 21" 11/32 - 33" 5/32 - 44" 61/64

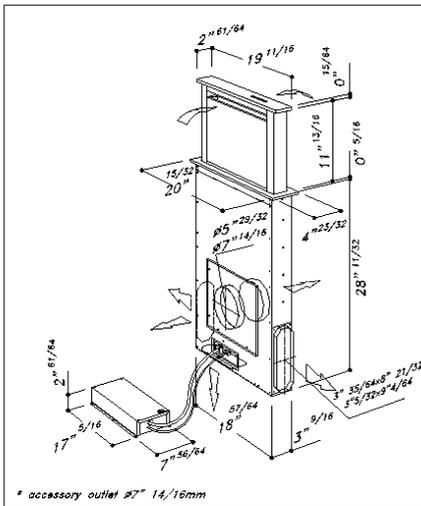
SU-DD2L TC
SU-DD2L INOX

FLUSH TOP



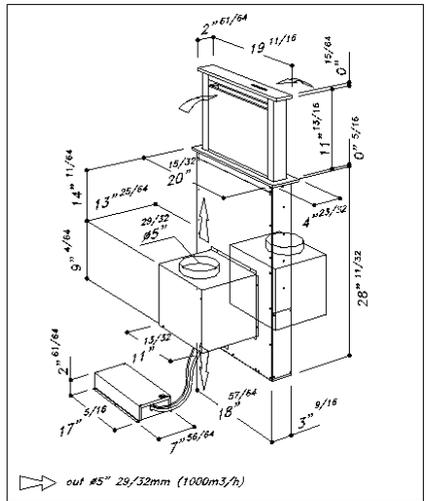
Rectangular opening: 3" 15/16 x 21" 11/32 - 33" 5/32 - 44" 61/64

SU-DD3 TC



Rectangular opening: 4" 6/64 x 19" 9/32

SU-DD3 TC



Rectangular opening: 4" 6/64 x 19" 9/32

INSTALLING THE COOKER HOOD

- Before carrying out the appliance installation, please check that all components are not damaged, in such a case contact your retailer and do not carry out any installation operation. Furthermore, please read carefully all of the following installation instructions.
 - Use an air exhausting pipe whose maximum length does not exceed 5 meters.
 - Limit the number of elbows in the piping, since each elbow reduces the air capacity of 1 linear meter. (Ex. : if you use no. 2 x 90 ° elbows, the length of piping should not exceed 3 meters).
 - Avoid abrupt direction changes.,
 - Use a 5"29/32. constant diameter pipe for the whole length.(for SUM1 or motor on board).
 - Use a 7" 7/8 constant diameter pipe for the whole length.(for SUM6).
 - Use piping approved by standards in force.

The manufacturer shall not be deemed responsible for air capacity or noise problems caused by failure to comply with the above instructions and no warranty on the product shall be provided.

- Before making the hole, check that there are no structural or other parts inside the cabinet, where the appliance is to be placed, which could hinder a proper installation. Check that the dimensions of the Downdraft and the ones of the cook top are compatible with the cabinet so that the installation can be carried out properly.
- Make a rectangular opening, 3" 15/16 X 19" 9/32 in size, in the back of the cook top for the SU-DD2L 22" 1/16 model, 3" 15/16 x 31" 3/32 for the SU-DD2L 33" 27/32 model and 4" 6/64 x 19" 9/32 in size, in the back of the cook top for the SU-DD3 model and 1142 x100 mm for the 120 cm model. In the version with the motor already installed, remove the screws and the suction unit in order to insert the down-draft in the hole made.

- Put the Downdraft in the opening, inserting it from above as shown in (Fig. 2).
- Fix the downdraft inside the cabinet, using the special fixing brackets supplied with the product (Fig. 3).
Insert the brackets in the lower side of the downdraft (Fig. 3), in such a way that there is a 2 mm distance between the lower side of bracket and the bottom of the cabinet (Fig. 3). This distance will allow the traction to be positioned downwards of the product, at the moment of fixing, in order to have the stainless steel trim perfectly adhering with the work surface. Before inserting the screws, please make sure that the appliance is perfectly perpendicular with the work surface.
Place the metal box containing the electronic components in an easily reachable area for possible technical assistance operations, by connecting the related connectors (fig. 5).
- Once the installation is complete and after connecting the appliance to the mains power, lift up the downdraft and remove the door block (Fig. 4); then open the door (Fig. 5) and fit the filters in place (Fig. 6). In the version of the Downdraft equipped with internal motor, install the power unit orienting the air outlet to the desired position, either downwards or upwards (Fig. 7).
The motor can be installed either on the front or rear side of the downdraft After having installed the motor, connect the air ducts.
- For versions with external motor, place the suctioning unit (external motor) in a suitable area and fit the exhaust air flue as illustrated. Then fit the air outlet ducts between the external motor and the downdraft. Select an air outlet from the five possibilities (Fig. 9) and fit the union supplied with the appliance.
- Place the metal box with the electronic components in an easily reachable area for eventual technical assistance operations. (Fig. 9), connecting the three connectors: 9 pole connector for the actuator control and the safety, 4 pole connector for led lamp (only for SU-DD2 model) and push-button connector) (Fig. 10). Connect the internal motor or the external motor's cable to the 6 poles connector of the downdraft wiring.

10. Power the cookerhood. Scegliere da quale foro si desidera entrare con il cavo alimentazione (Fig.14), Rimuovere il metallo pre tranciato, applicare il passacavo (non fornito) e collegare l'alimentazione al morsetto rispettando la targa (L-N) e la terra alla vite M4x10 (Fig.15) Infine richiudere la scatola alimentazione.

HOW TO USE THE COOKER HOOD

This appliance is intended to suck cooking fumes, greases and steam. It has been designed to work in both suctioning mode, with outside evacuation, and filtering mode.

Outside - discharge version

The cooker hood can be mounted in the version with outside discharge of suctioned air: in this case it is necessary to connect the exhausting channel to the outside (exhausting pipes are not supplied with the products.)

Non-return valve blockage



WARNING



Before connecting the air exhaust hose, make sure that the non-return valves can rotate freely.



In case of outside air discharge installation, fit a non-return valve to prevent wind and back air.

Filtering mode

In case fumes and vapour cannot be evacuated outside, the appliance can be used in the filtering mode.

Activated charcoal filters are required for this type of cooker hood.

Air recycled through the charcoal filters is recirculated into the kitchen, thanks to a duct conveying the air on one side of the cabinet (Fig. 11).



CAUTION



Installation must comply with the regulations in force regarding the ventilation of enclosed environments. In particular, discharged air must not be conveyed into a duct used for fumes discharge or discharge from appliances using gas or other combustible materials. The use of discontinued ducts is not allowed without the approval of a qualified technician.

GREASE FILTER REMOVAL, MOUNTING THE ACTIVATED CHARCOAL FILTER

The removal and fitting of the grease and carbon filters need to be carried out with the downdraft in the open position. To open the downdraft, push the $\uparrow\downarrow$ key. Then remove the front panel, pulling the upper part of each side at the same time. The panel will rotate forwards to make it possible to access in the grease filters (fig. 6). Remove the grease filters to access the carbon filters (fig. 12). The replacement of the charcoal filters has to be carried out accordingly to the effective use of the Downdraft, and in any case at least once every 6 months.



WARNING



After having replaced the filters, reinstall the front stainless steel panel, otherwise the Downdraft is not enabled to function.

ELECTRICAL CONNECTION OF THE COOKER HOOD



WARNING



Place the metal box containing the electronic components at a distance of no less than 65 cm from gas-operated cook tops or in any case, 65 cm from the suctioning surface of the cookerhood.

WARNING: All electrical work must be performed by a qualified electrician.

Please ensure that the appropriate electrical codes or prevailing local building codes and ordinances are adhered to.

Ensure that the electricity supply is disconnected at source. Do not use an extension cord or adapter plug with this appliance.

This appliance must be grounded. Connect to a properly grounded branch circuit, protected by a 15 amp circuit breaker.



NOTA



We recommend installing the metal box containing the electronic components at least 10 cm above floor level and at a suitable distance from all heat sources (e.g. oven sides or cook top).



CAUTION



Electrical Supply.

This range hood requires a 120V, 60 Hz supply and draws a maximum of 3 amps.

We decline any responsibility in case of accidents caused by a lack of ground connection or incorrect ground connection.



DANGER



If the cooker hood presents any anomaly, disconnect the appliance or remove the fuse corresponding to the appliance power disconnecting line.

HOW THE COOKER HOOD WORKS

MODEL SDD2-L GLASS VERSION MODEL SDD2-L INOX VERSION

A: Light ON/OFF key

The light switches on and off only when the carriage is fully OPEN.

Pressing this button with the carriage closed will cause the carriage to open and then the light will switch on .

The button also serves to switch off the light if it is on.

B: ON/OFF key

This starts the extraction carriage upward movement and when it is fully open, it sets the second extraction speed.

With the carriage open: it switches off the motor and if on, the light; then it retracts the extraction carriage.

C: (-) Key

This reduces the speed of the extractor motor from the 4th speed until the motor switches off, without closing the pull-out carriage.

D: Indicators

- This signals the speed setting, by only the relevant LED switching on.
- This signals that all filters have been saturated by all LEDs switching on.

E: (+) Key

This increases the speed of the extractor motor, from 1st to 4th speed, without moving the extractor panel.

F: Timer

10 min after setting, it serves to stop the extractor motor, close the carriage and switch the lights off, if they are on. The set function is signalled by the flashing LEDs “D” for the set speed. The timer can be cancelled by pressing the key again.

MODEL SU-DD3 VERSION

OFF switch: (Fig. 16G) It is used to close the aspiration panel completely or to position it at intermediate heights at least mm 180 above the cooktop. While closing the aspiration panel keeps on working at the speed set up to the height of mm 180 from the cooktop. Below this height the aspiration function is automatically cut out.

On switch/+: (Fig.16H) It is used to extract the aspiration panel up to the maximum height of mm. 300 and to set automatically the first aspiration speed when reaching the height of mm 180 from the cooktop.

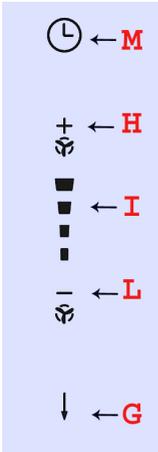
When pressing the button again after reaching this height, the aspiration motor speed can be increased.

If the aspiration panel is positioned at an intermediate height between mm 180 and mm 300, the aspiration panel can start raising again by pressing first the OFF switch and then the On/+ Switch.

Leds: (Fig. 16I) The different speed levels are indicated leds.

MINUS SWITCH: (Dis. 16L) it is working only if the position reached by the aspiration panel is higher than mm 180 from the cooktop. It is used to decrease the aspiration motor speed.

TIMER SWITCH: (Fig.16M) : it is used to stop automatically the aspiration system and to close automatically the aspiration panel ten minutes it has been set.



Other functions:

Automatic turn off:

After 4 hours of continuous working from the last setup, the appliance turns off and closes automatically.

Grease filters saturation:

After 30 hours of working, the speed indicators "D" will all flash simultaneously, signaling the grease filters saturation.

To reset this alarm, push the "TIMER" key when the downdraft is completely off and the extractable unit is closed.

Calibration SU-DD2-L:

The cooker-hood carries out its self-calibration every 3 complete cycles of its extractable unit.

By pushing the "TIMER" key 6 times consecutively (MAX break between one push and the other is 3 sec.) all the leds will flash and the calibration will be reset.

After the next 3 cycles the downdraft will carry out its self-calibration.

Calibration: SU-DD3

After the downdraft has been installed, the aspiration panel must be calibrated. This operation is necessary to regulate the power extraction of the aspiration panel. Connect the product to the power line, making sure that it is conformed to the supply voltage indicated on the technical data tag. Pushing the ON/1 button (Fig. 15H) the aspiration panel rises. After it has reached a height of 180mm from the cooktop, press OFF (Fig. 15G), to stop the extraction then the Timer and after 2 sec. the OFF button. The downdraft will carry out the calibration of its aspiration panel rising and retracting for some centimeters.

During this phase, the buttons on the pushbutton control panel blink. At the end of the calibration, the aspiration panel get back to the previous position and the button end to blink. Wait until the aspiration panel stops moving before re-activating the extraction.

After the self-calibration stage, close the filter unit completely using the OFF button.

Stand-by:

When the extractable unit is closed and the light is switched off, the control panel, after 6 seconds, activates the Stand-by function, reducing the brightness of the leds.

This function can be stopped by pressing ON/ OFF or LIGHT key.

Security System:

If there is an obstacle while the extractable unit is closing, the Downdraft stops closing and rises again thanks to a security system.

CLEANING THE COOKER HOOD

Careful maintenance ensures proper operation and good performances over time.



CAUTION



The hood must be disconnected from the electrical network.

MAINTENANCE	HOW TO PROCEED?	ACCESSORY PRODUCTS TO USE
External surfaces and accessories	Do not use metallic scrubbers, abrasive products, or hard brushes.	To clean the external surfaces of the cookerhood and the light housing screen use only commercially available household detergents diluted in water. Then rinse with clean water and dry with a soft cloth.
Activated charcoal filter with extractable unit open	After 30 hours of operation, the downdraft will signal the grease filter saturation. The saturation is signaled by the blinking of the 4 central leds. To reset, hold down the timer button  for at least 3 seconds, while the carriage is open.	The grease filters can be washed by hand or in the dishwasher. These filters need to be cleaned on a regular basis, because otherwise they may represent a fire risk. Refit the grease filters and front panel, making sure that the panis properly fitted at the sides so that it it does not cause the downdraft to stop operating.
Activated charcoal filter	In the recirculation mode, the active charcoal filter must be replaced periodically. To remove the charcoal filter first of all it is necessary to remove the grease filter and then pull the plastic key of the panel itself, in order to disengage it from its seating. Follow these steps in reverse order to insert the active charcoal filter. Replace the used charcoal filter on an average of every six months.	

OPERATIONAL ANOMALIES

PROBLEM	SOLUTION
The cooker hood does not work...	Check that: <ul style="list-style-type: none"> • There is not a power outage. • A specific speed has actually been selected. • The 9 pole connection is inserted properly. • The red reset key, found over the electrical system box, is pushed. • Make sure that the wires of the 9 pole connection are inserted properly in the connector itself (during the connection phase, an excessive pressure could bend the contacts).
The cooker hood has low performances...	Check that: <ul style="list-style-type: none"> • The motor speed selected is sufficient for the quantity of fumes and vapors present in the room. • The kitchen is ventilated well enough to allow air for intake. • The charcoal filter is not worn out. (filtering version cooker hood). • The air outlet channel is free and compliant with paragraph no. 2. • The non-return valves of the suctioning unit are free to rotate.
The cooker hood stops in the middle of operation.	Check that: <ul style="list-style-type: none"> • There is not a power outage. • The omnipolar device has not tripped.

AFTER SALES SERVICE

Any maintenance operation on your appliance should be carried out by:

- Either your retailer;
- Or another qualified professional technician, authorized for that brand.



NOTA



When calling, please mention the appliance details (Type Fig. 13a and equipment Fig. 13b and production date Fig. 13c).

This information is mentioned on the rating label and the production date one placed on the lower side of the downdraft.



Three Year Limited Warranty

YOU MUST REGISTER THE PURCHASE OF YOUR PRODUCT ON LINE AT www.siriuscapp.com/usa/warranty.htm TO CONVALIDATE YOUR WARRANTY.

YOU CAN FIND THE DATA OF YOUR HOODS ON A LABEL INSIDE THE HOOD. JUST REMOVE THE GREASE FILTER TO READ IT.

WARRANTY SERVICE

To qualify for warranty service, you must notify Sirius After sale service at the email address stated below or call toll free USA 1-877-474-8770 and provide the model number, description of the fault or defect and original date of purchase. Sirius reserves the right to request proof of original purchase. Sirius will at its sole option and discretion replace products that arrive damaged through shipping, provided shipping damage is reported as stated above WITHIN 5 BUSINESS DAYS OF RECEIPT of the shipped product or products.

ONE YEAR SERVICE REPAIR WARRANTY:

During the first year from date of original purchase, Sirius will, at its option, repair or replace, without charge, any product or part which is found to be defective under normal use and service.

THREE YEAR PARTS WARRANTY:

For three years from date of purchase, Sirius will provide free of charge, non-consumable replacement parts which are found to be defective under normal use and service.

WHO IS COVERED:

Sirius warrants to the original consumer purchaser of its products that such products will be free from defects in materials and workmanship for a period of three years from the original date of purchase. There are no other warranties, express or implied, including, but not limited to, implied warranties of merchantability or fitness for a particular purpose or application.

WHAT IS NOT COVERED:

This warranty does not extend to filters, lamps, batteries, ducts and ductwork components. This warranty does not cover normal maintenance and service or products or parts which have been subject to misuse, negligence, accident, improper maintenance or repair, faulty installation or installation contrary to recommended installation instructions. The warranty on glass screens is limited to manufacturing defects only and expressly excludes cracks and breakages as a result of faulty installation. *Labor and associated costs associated directly with removal and re-installation are expressly excluded.*

The duration of any implied warranty is limited to the three year period as specified for the express warranty. Some states and provinces do not allow limitation on how long an implied warranty lasts, so the above limitation may not apply to you.

Sirius S.P.A.

Zona industriale Berbentina 6/A
60041 SASSOFERRATO (AN)
ITALY

Sirius after sale service

Telephone (toll free): 1-877-474-8770
Email: Sirius@adcoservice.com

Register Online! www.siriuscapp.com/usa/warranty.htm



The symbol on the product or on its packaging indicates that this product may not be treated as household waste. Instead it shall be handed over to the applicable collection point for the recycling of electrical and electronic equipment. By ensuring this product is disposed of correctly, you will help prevent potential negative consequences for the environment and human health, which could otherwise be caused by inappropriate waste handling of this product. For more detailed information about recycling of this product, please contact your local city office, your household waste disposal service or the shop where you purchased the product. This appliance is marked according to the European directive 2012/19/EC on waste electrical and electronic equipment (WEEE).

